



# ESX-600

Non-invasive ventilator  
Sleep Therapy System



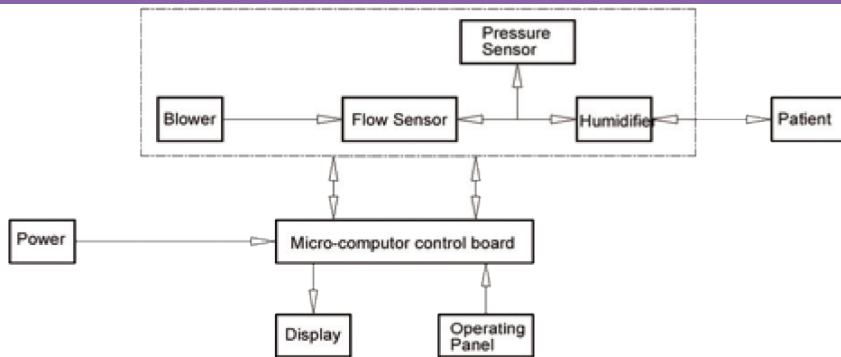
INTENSIVE CARES



## Features

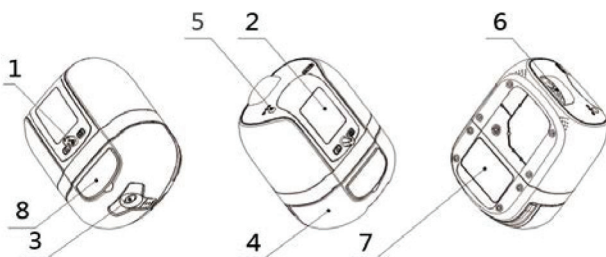
- 3.5 inch LCD screen displays the ventilation parameters and alarm information.
- Multiple working modes: CPAP, S, S/T, T adapt to wide range patient.
- Integration breathing circuit design ensures easy operating and keeps tidy.
- Shutting down is not required while refilling water.
- Simplicity: Portable and friendly use.
- suitable for Simple obesity causes respiratory tract (nose and throat) stenosis snorers.
- Chronic rhinitis, pharyngitis, turbinate hypertrophy, septum bends, tongue root hypertrophy, uvula hypertrophy, tonsil hypertrophy, pharynx hypertrophy cause upper respiratory tract stenosis snorers.
- Congenital short jaw snorers (small chin) lead to the upper respiratory tract stenosis.
- All snoring (snoring) accompanied by sleep apnea, suffocation, stopped breathing, low ventilation, oxygen, and low blood oxygen content.
- All patients who get medical monitoring and diagnosis that suffering from slight to severe obstructive sleep apnea syndrome

## Working principle



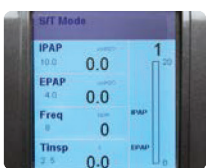
- Blower can adjust the demanded pressure gas according to need, transfers the gas to patients through humidifier.
- Control panel processes the setting parameters, pressure and flow of respiratory and other data stated by panel operation, shows the control value and monitoring value on the display.
- According to the alarm parameter value stated by panel, the control panel can report the alarm by sound and light when the monitoring parameter exceeds the setting parameter.

## Structure of product



1. Press button (modify the working parameter and control the working status)
2. Display screen (display system setting, monitoring parameter, waveform, alarm etc.)
3. Inspiratory port (connect 1.8m breathing pipe), display the water level of humidifier
4. Humidifier
5. DC power port (connect 24V DC power)
6. Filter control and air inlet
7. Label of equipment
8. Cap of the humidifier

## Components



3.5" LCD screen



Humidifier



Breathing tube



Mask



Bag



## Specifications

<b>Ventilation modes</b>	CPAP, S, T, S/T
Frequency	Adjusting range: 3bpm-40bpm Increment: 1bpm
Inspiration time	Adjusting range: 0-3s Increment: 0.1s
IPAP	Adjusting range: 4cmH <sub>2</sub> O-25cmH <sub>2</sub> O Increment: 0.5cmH <sub>2</sub> O
EPAP	Adjusting range: 4cmH <sub>2</sub> O-20cmH <sub>2</sub> O Increment: 0.5cmH <sub>2</sub> O
CPAP	Adjusting range: 4cmH <sub>2</sub> O-20cmH <sub>2</sub> O Increment: 0.5cmH <sub>2</sub> O
Ramp time	Adjusting range: 0-60min Increment: 1min
Rise time	Adjusting range: 0.1s-0.5s Increment: 0.1s
Inspiration trigger	Adjusting range: auto adjusting, 1-3 Increment: 1
Expiration trigger	Adjusting range: auto adjusting, 1-3 Increment: 1
Flex	Adjusting range: OFF, 1-3 Increment: 1
Humidifier	Adjusting range: 0-5 Increment: 1
Ppeak	0-30cmH <sub>2</sub> O



<b>Oscillograph display</b>	Airway pressure histogram
-----------------------------	---------------------------

### Alarm and protection

Low ventilation	0-15L/min
High airway pressure	20cmH <sub>2</sub> O-30cmH <sub>2</sub> O
High frequency	1bpm-99bpm
Low frequency	1bpm-60bpm
Suffocation warning	8s-12s no spontaneous ventilation
The maximum limited pressure	< 12.5 kPa
Pipe detached	Pipe detached 16s

### Working conditions

Environmental temperature	5 °C -35 °C
Relative humidity	15%-95%
Atmosphere pressure	830hPa-1060hPa

### Using conditions

Storage conditions	-20 °C -+60 °C
Relative humidity	15%-95%
Atmosphere pressure	500hPa-1060hPa

### Packing size

Carton packing size	L 285*W 350*H 290mm
G.W.	4.5KG
N.W.	3.5KG



ESSE3 srl, Via Garibaldi 30  
14022 Castelnuovo D.B. (AT)  
Tel +39 011 99 27 706  
Fax +39 011 99 27 506  
e-mail [esse3@chierinet.it](mailto:esse3@chierinet.it)  
web: [www.esse3.dreamgest.com](http://www.esse3.dreamgest.com)

